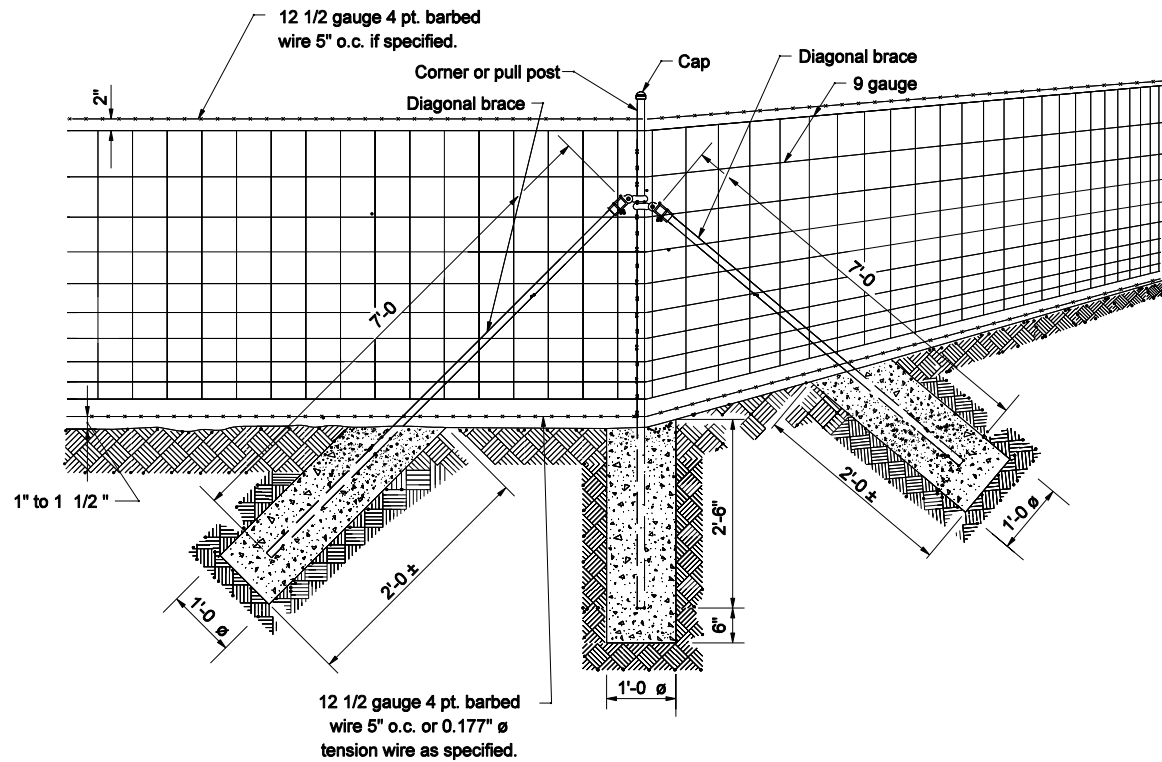


FARM FIELD TYPE FENCE

POST CHART					
4'-0 HEIGHT		GROUP 1		GROUP 2	
	WEIGHT	NOM. DIA.	WEIGHT	NOM. DIA.	WEIGHT
	lb/ft	in.	lb/ft	in.	lb/ft
END, CORNER, AND PULL POSTS		2	3.65	2	3.12
LINE POSTS					
STUDDED "T"	1.33				
"U"	1.33				
DIAGONAL BRACE		1 1/4	2.27	1 1/4	1.84

INDIANA DEPARTMENT OF TRANSPORTATION	
FARM FIELD TYPE FENCE	
SEPTEMBER 2004	
STANDARD DRAWING NO. E 603-FFTF-01	
	<i>/s/ Richard L. VanCleave</i> 9-01-04 DESIGN STANDARDS ENGINEER DATE
	<i>/s/ Richard K. Smutzer</i> 9-01-04 CHIEF HIGHWAY ENGINEER DATE
DESIGN STANDARDS ENGINEER	



FARM FIELD TYPE FENCE CORNER

GENERAL NOTES

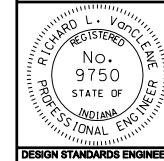
1. See Standard Drawing E 603-FFTF-01 for Post Chart.

INDIANA DEPARTMENT OF TRANSPORTATION

FARM FIELD TYPE FENCE

SEPTEMBER 2004

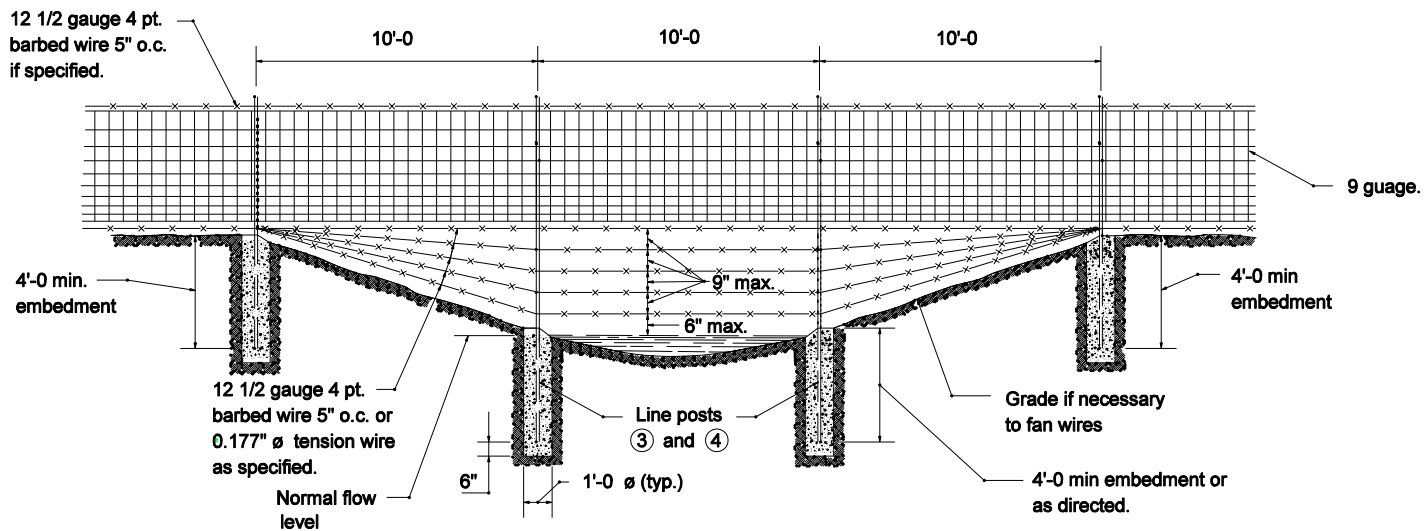
STANDARD DRAWING NO. E 603-FFTF-02



/s/ Richard L. VanCleave 9-01-04
DESIGN STANDARDS ENGINEER DATE

/s/ Richard K. Smutzer 9-01-04
CHIEF HIGHWAY ENGINEER DATE

DESIGN STANDARDS ENGINEER



SECTION AT STREAM CROSSING OR DEPRESSION

GENERAL NOTES

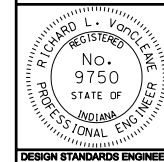
1. For farm field type gate see Standard Drawing E 603-CLTF-03 for dimensions and installation. Substitute farm field type fence for chain link type fence.
2. The placement of fence over a stream crossing or depression shall be as directed.
- ③ Extra length posts shall be used as directed.
- ④ Line posts 9'-6 or longer for crossing shall be 2" nom. dia. ϕ tubing or L 3 x 3 x $\frac{1}{4}$ " angles and shall be set in concrete footings.

INDIANA DEPARTMENT OF TRANSPORTATION

FARM FIELD TYPE FENCE

SEPTEMBER 2004

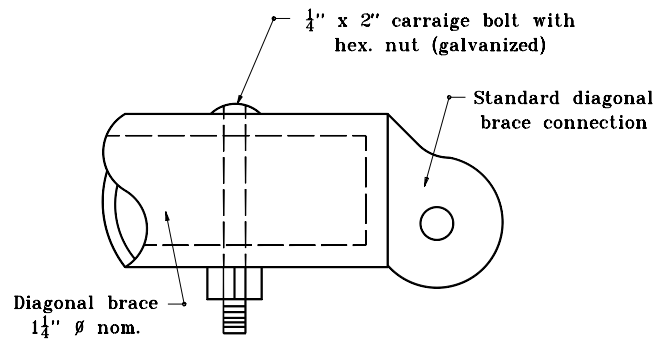
STANDARD DRAWING NO. E 603-FFTF-03



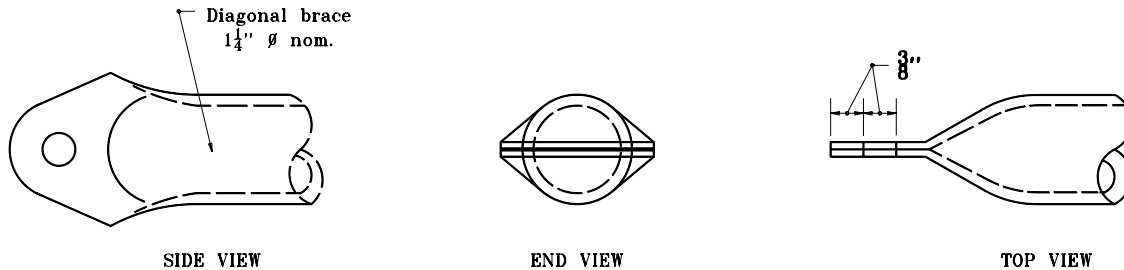
/s/ Richard L. VanCleave 9-01-04
DESIGN STANDARDS ENGINEER DATE

/s/ Richard K. Smutzer 9-01-04
CHIEF HIGHWAY ENGINEER DATE

DESIGN STANDARDS ENGINEER

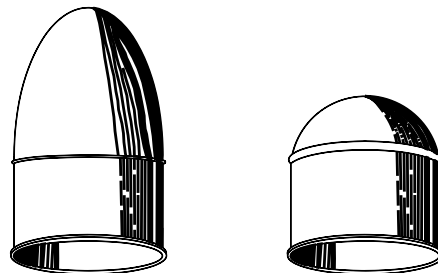


STANDARD METHOD



ALTERNATE METHOD

DIAGONAL BRACE CONNECTION



TYPICAL CAPS FOR TUBULAR POSTS

INDIANA DEPARTMENT OF TRANSPORTATION	
BRACE CONNECTIONS AND POST CAPS	
APRIL 1995	
STANDARD DRAWING NO. E 603-FFTF-04	
	DETAILS PLACED IN THIS FORMAT 7-27-99 /s/ Anthony L. Uremovich 7-27-99 DESIGN STANDARDS ENGINEER DATE
DESIGN STANDARDS ENGINEER	/s/ Firooz Zandi 7-27-99 CHIEF HIGHWAY ENGINEER DATE ORIGINALLY APPROVED 4-03-95